



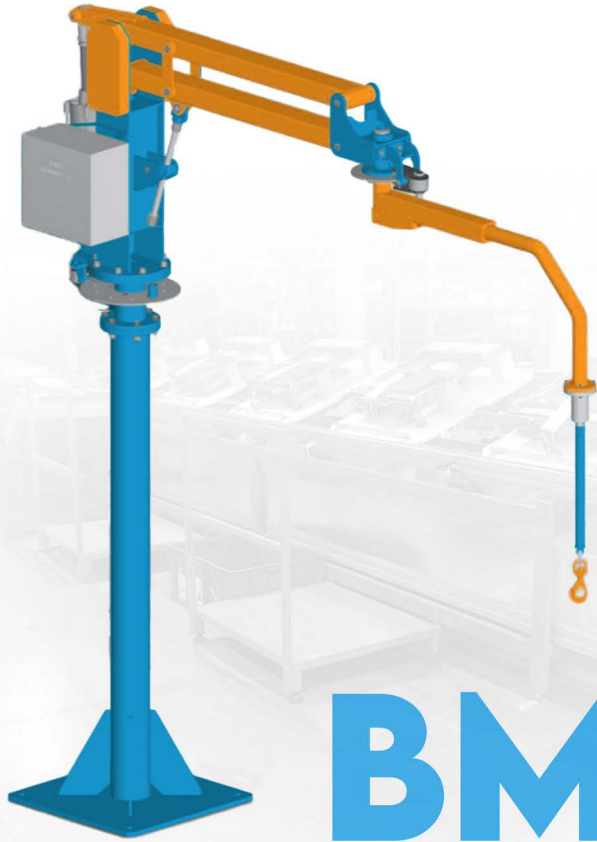
Industrial Manipulators



FEEL THE POWER



export@bluetech.com.tr

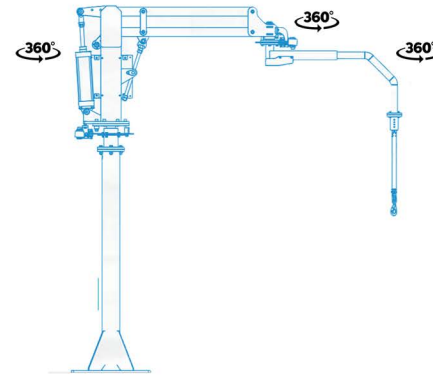


BM-XS MANIPULATOR

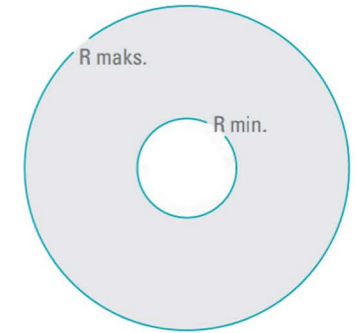
Technical Specifications

Carrying Capacity (kg)	85	65	50	40
Vertical Movement (mm)	800	1000	1200	1400
Minimum Radius (mm)	600	650	700	750
Maximum Radius (mm)	1500	2000	2500	3000

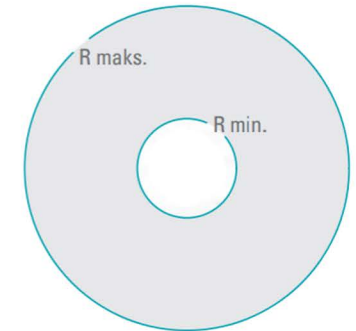
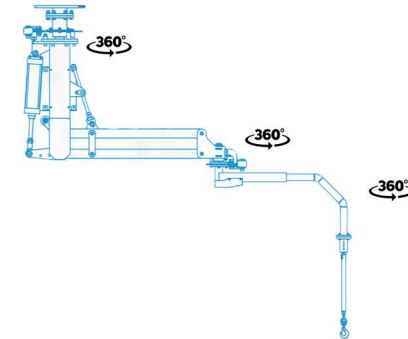
MODEL BM-XS-KS



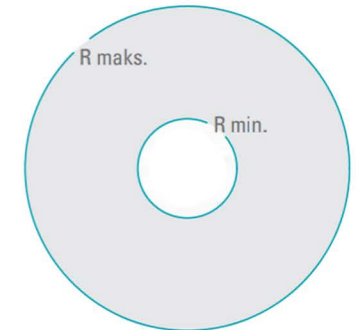
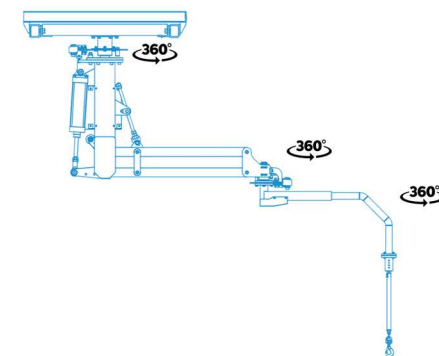
SCAN AREA

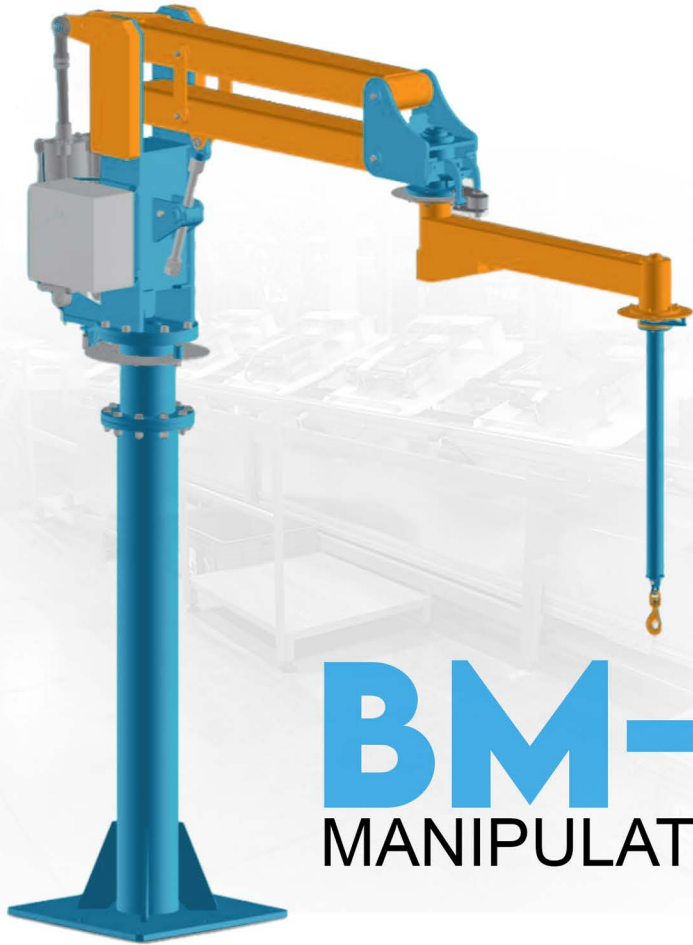


MODEL BM-XS-TS



MODEL BM-XS-RS





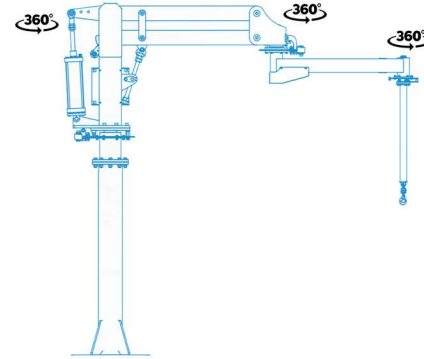
BM-L MANIPULATOR

Technical Specifications

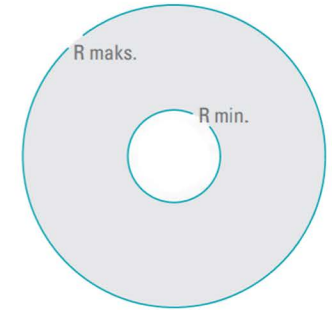
Carrying Capacity (kg)	500	400	335	285	250
Vertical Movement (mm)	1400	1400	1800	2100	2400
Minimum Radius (mm)	750	800	850	950	1050
Maximum Radius (mm)	2000	2500	3000	3500	4000

MODEL

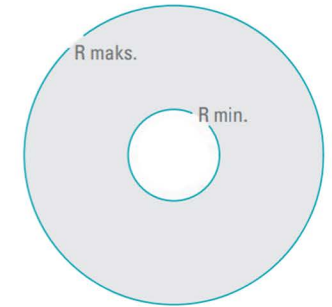
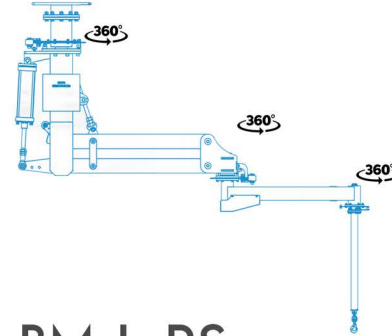
BM-L-KS



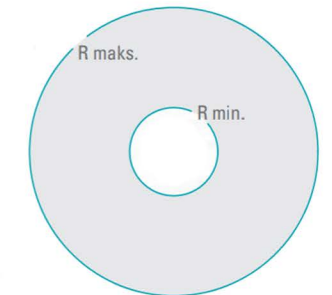
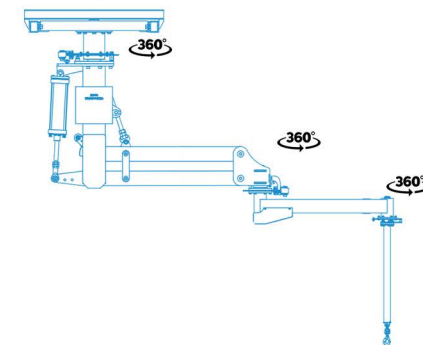
SCAN AREA

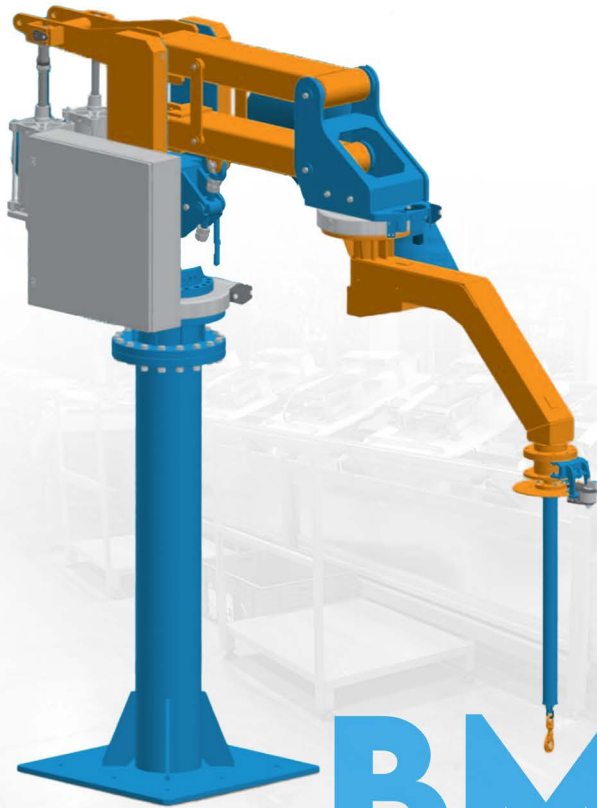


BM-L-TS



BM-L-RS



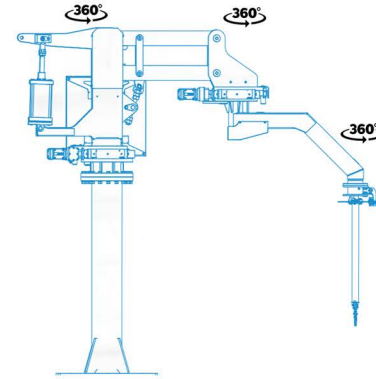


BM-XXL

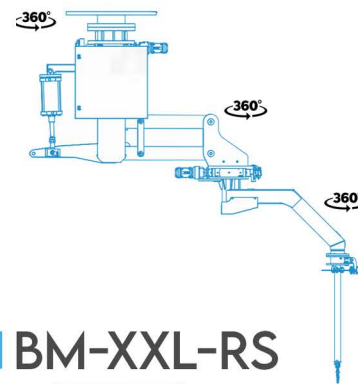
MANIPULATOR

MODEL

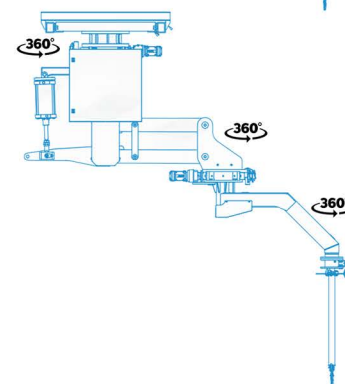
BM-XXL-KS



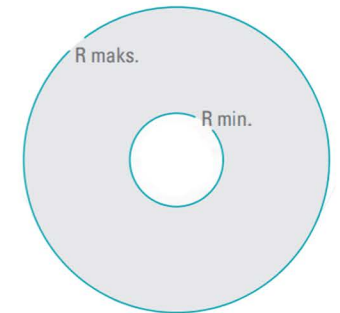
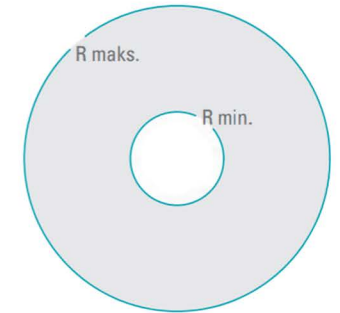
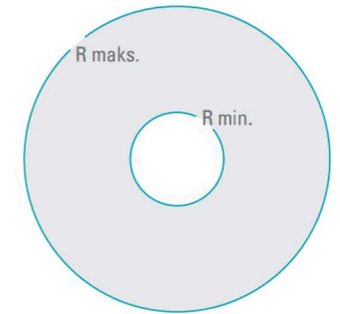
BM-XXL-TS



BM-XXL-RS



SCAN AREA



Technical Specifications

Carrying Capacity (kg)	1500	1200	950	800	700	650
Vertical Movement (mm)	1500	1800	2100	2400	2700	3000
Minimum Radius (mm)	800	900	1000	1100	1250	1400
Maximum Radius (mm)	2500	3000	3500	4000	4500	5000